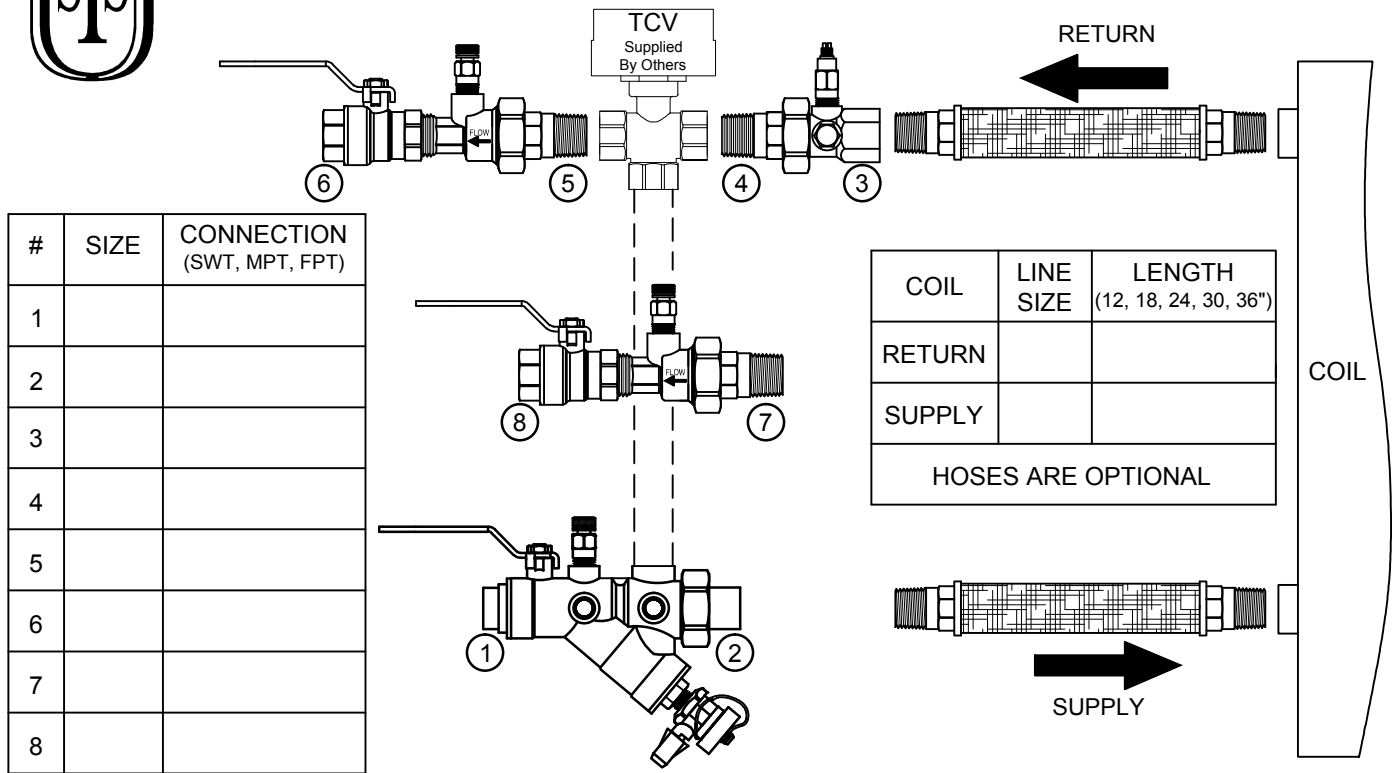


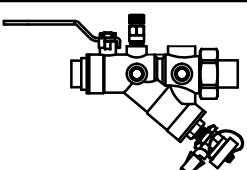
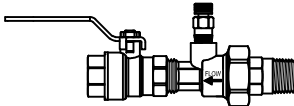
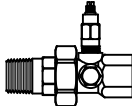



Manual Balancing 3-Way Kit - V3IV Submittal



#	SIZE	CONNECTION (SWT, MPT, FPT)
1		
2		
3		
4		
5		
6		
7		
8		

PRODUCT DESCRIPTION: The USIS V3IV Manual Balancing 3-way Valve Kit is a packaged and partially preassembled grouping of components required to complete installation of a terminal unit. Temperature control valves, piping, and coils are supplied "by others". Mounting and testing of the customer supplied TCV is available at an extra expense.

COMPONENT DESCRIPTIONS			
SUPPLY	RETURN/BYPASS	RETURN	SUPPLY/RETURN - OPTIONAL
			
<p>Model IVY: The IVY combines an integral full-port ball valve, wye strainer and union. The IVY has five 1/4" taps for accessory installation, and a by-pass tap at the forward 12:00 position. The strainer cap has a 1/4" tap for a hose-end drain with a 20-mesh stainless steel screen.</p>	<p>Model CBV: The CBV is a calibrated balancing valve for highly accurate flow measurement that combines a ball valve/venturi by union end. The CBV comes standard with dual pressure/ temperature ports, and a handle memory stop. The CBV may also be used in by-pass.</p>	<p>Model AU: The AU is a brass accessory union, rated at 600 WOG, that provides for component isolation. The AU contains two predrilled 1/4" ports positioned 90° apart for accessory installation. The AU comes standard with 1/4" plugs unless otherwise specified.</p>	<p>HSS: Engineered CPE tube 1/2" through 1" sizes. EPDM 1 1/4" through 2" sizes. Solid brass hex tapered NPT male termination with stainless steel ferrules 1/2" - 1" sizes. Plated steel NPT male 1/4" - 2" sizes with plated steel ferrules.</p>

KIT #	QUANTITY	GPM	TCV SIZE	TAGGING INFORMATION

JOB NAME:	CUSTOMER:
ENGINEER:	REF/PO#: DATE:
CONTRACTOR:	SUBMITTED BY: DATE: