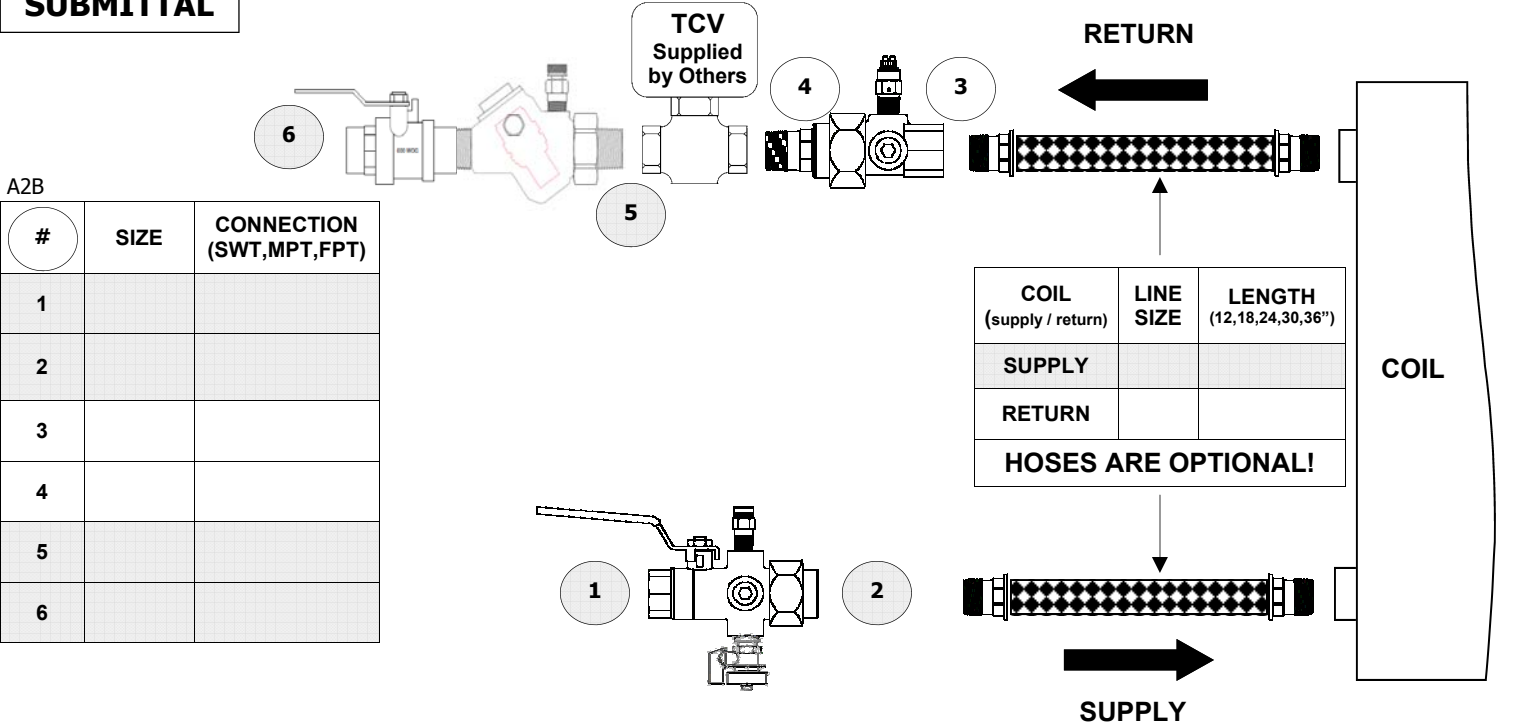




AUTOMATIC BALANCING 2-WAY KIT - A2B

JOB NAME:	REP:	DATE:
ENGINEER:	REF/ PO#:	
CONTRACTOR:	SUBMITTED BY:	

SUBMITTAL



A2B

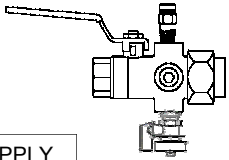
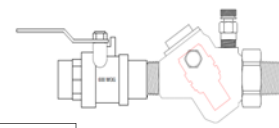
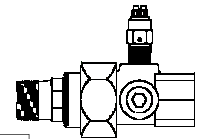

#	SIZE	CONNECTION (SWT,MPT,FPT)
1		
2		
3		
4		
5		
6		

DESCRIPTION:

US Industrial Sourcing A2B Automatic Balancing 2-Way Valve Kit is a packaged and partially preassembled grouping of components required to complete installation of a terminal unit. Temperature Control Valves, piping and coils are supplied "By Others". Mounting and testing of the TCV's is available at an extra expense.

KIT #	QTY	GPM	TCV SIZE	TAGGING INFORMATION
A2B				

COMPONENT DESCRIPTIONS

 SUPPLY	 RETURN	 RETURN	 SUPPLY/ RETURN - OPTIONAL!
<p>Model IBU - Integral ball valve and union device rated at 600 WOG. Provides shut off valve and accessory taps for installation of pressure/temperature port and drain valve.</p>	<p>Model AFLB - The AFLB is an automatic flow limiting device, ball valve by union, rated at 600 WOG. Comes standard with two pressure/temperature ports and a hanging ID tag for easy commissioning.</p>	<p>AU - Accessory Union provides two accessory taps positioned 90° apart for the installation of pressure/temperature ports and manual air vent.</p>	<p>HSS - Engineered CPE Tube 1/2" through 1" / EPDM 1 1/4" through 2". Solid brass hex tapered NPT male and integral swivel male NPT termination with stainless steel ferrules 1/2"-1" sizes. Plated steel male NPT 1-1/4" to 2" sizes with plated steel ferrules.</p>