



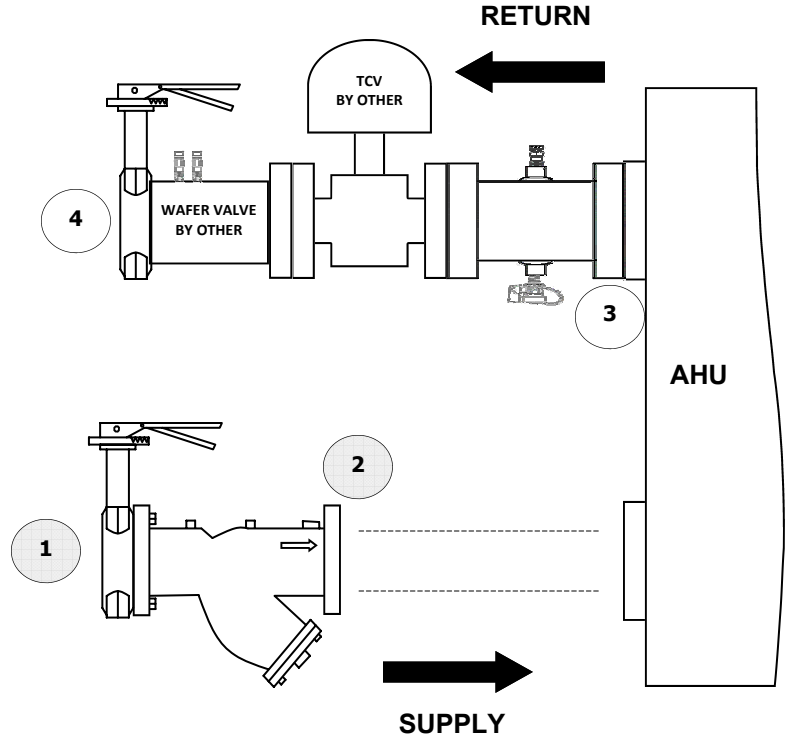
**STEEL AUTOMATIC BALANCING 2-WAY KIT - SW2Y**

<b>JOB NAME:</b>	<b>REP:</b>	<b>DATE:</b>
<b>ENGINEER:</b>	<b>REF/ PO#:</b>	
<b>CONTRACTOR:</b>	<b>SUBMITTED BY:</b>	

**SUBMITTAL**

SW2Y

#	SIZE	CONNECTION
1		
2		
3		
4		

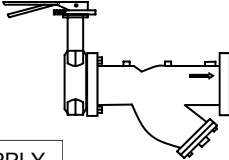
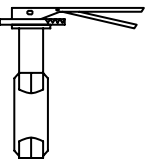
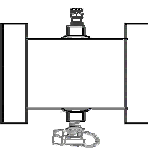


**DESCRIPTION:**

US Industrial Sourcing SW2Y Steel Automatic Balancing 2-Way Valve Kit is a packaged and partially preassembled grouping of components required to complete installation of a terminal unit. Temperature Control Valves, piping and coils are supplied "By Others". Mounting and testing of the TCV's is available at an extra expense.

KIT #	QTY	GPM	TCV SIZE	TAGGING INFORMATION
SW2Y				

**COMPONENT DESCRIPTIONS**

SUPPLY	RETURN	RETURN	ACCESSORIES
			
<p><b>Model CBYS</b> - Combination Butterfly Valve/ Wye-Strainer, Flange X Flange. Cast Iron Strainer section connected to a lug type butterfly valve for throttling/isolation with stainless steel filter element.</p>	<p><b>Model BFL</b> - Combination Butterfly Valve/Venturi Flow Tube Flange Style. Carbon Steel Venturi flow measurement section connected to a lug type butterfly valve for throttling. Connects to standard ANSI 150 lb flanges.</p>	<p><b>AFF</b> - Steel Accessory Flange provides port options for larger piping systems. Standard ANSI 150 lb flanges are welded to steel schedule 40 pipe providing a platform for accessory options.</p>	